

Lowering springs front & rear

INSTALLATION INSTRUCTION

CELICA

Model year: **FMC Aug. 1999**

Vehicle Code: **T23**

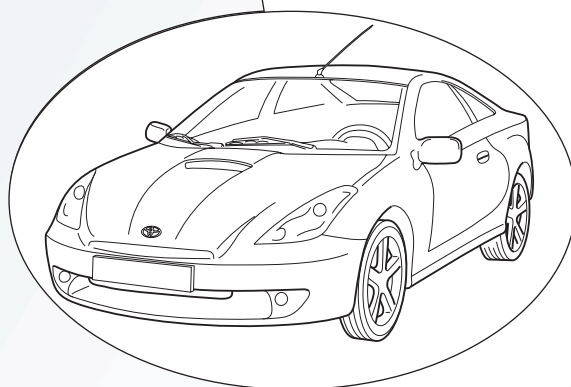
Part Number: **PZ439-10721-00**



8,9 Kg



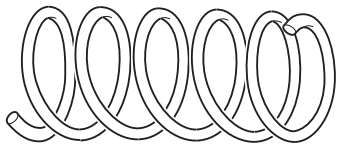
2 h



Revision Record

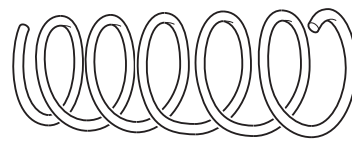
Rev. No.	Date	Page	Picture	Update	New	Deleted Steps

10

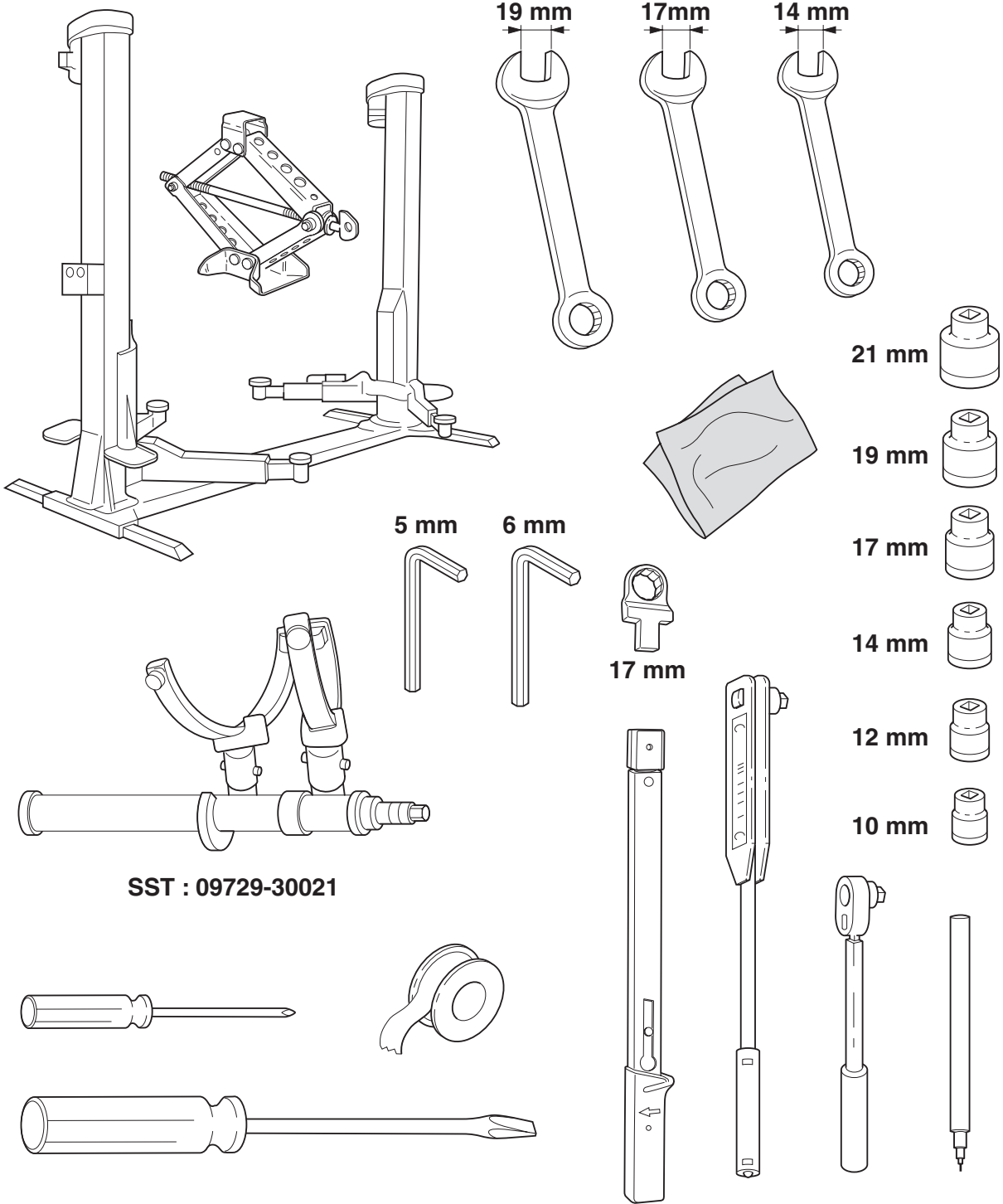


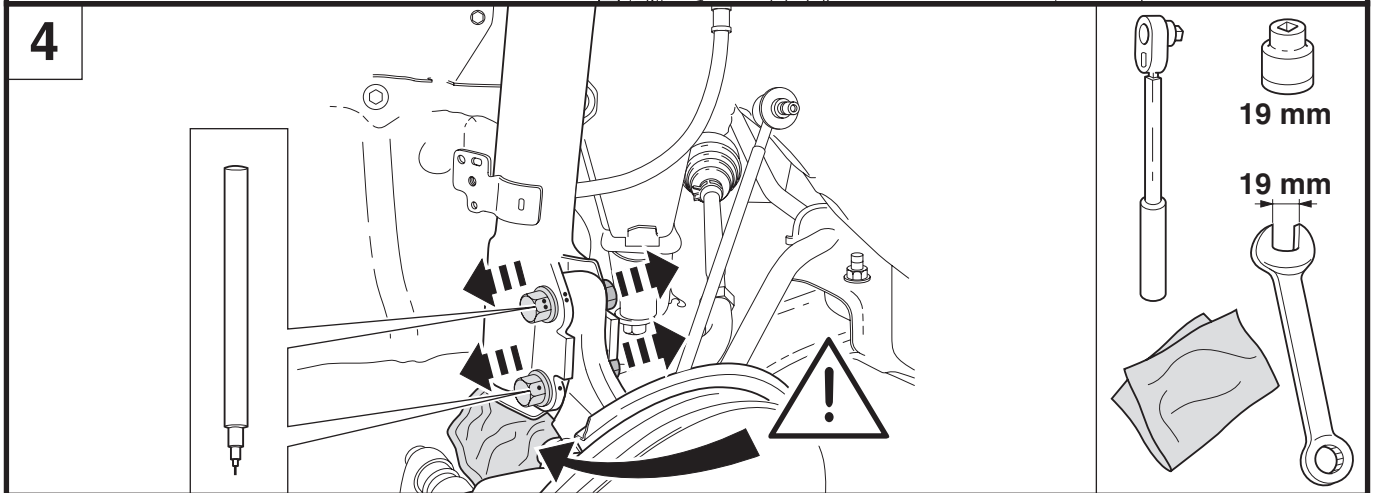
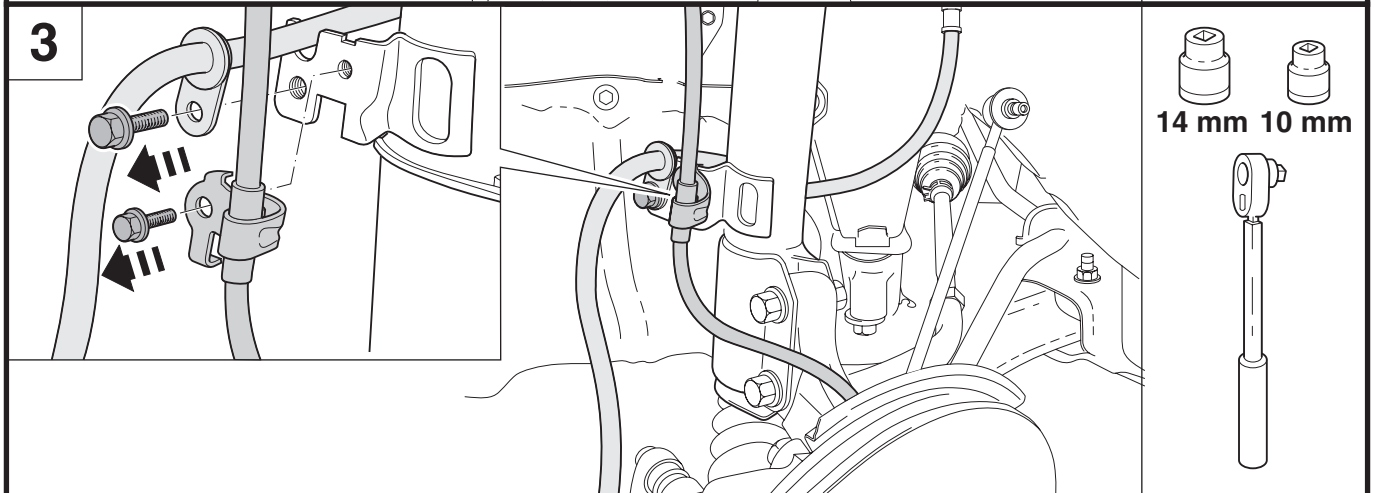
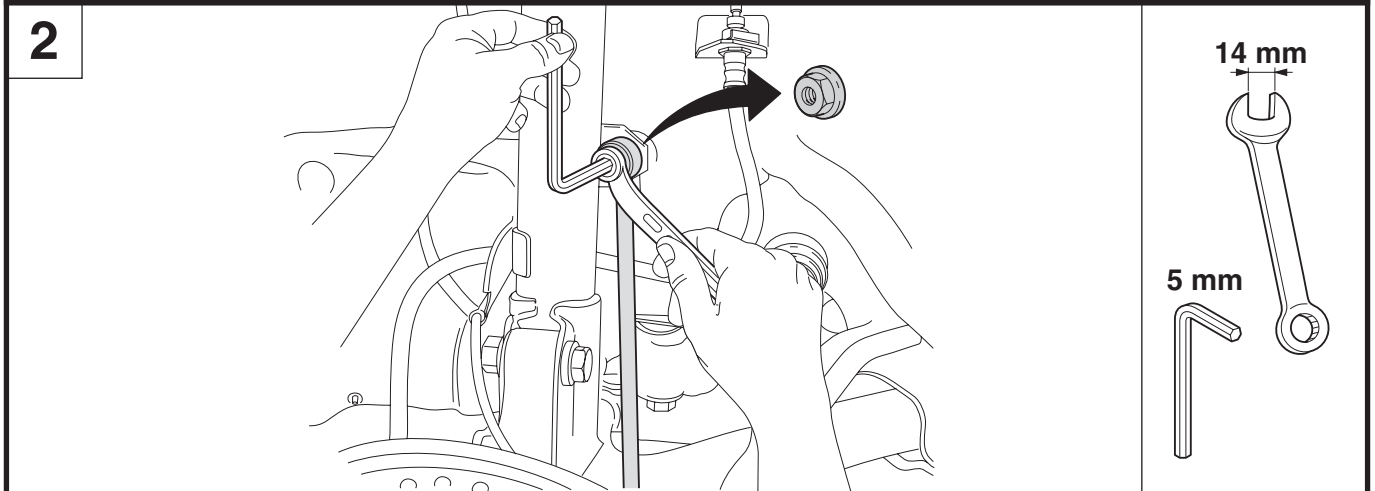
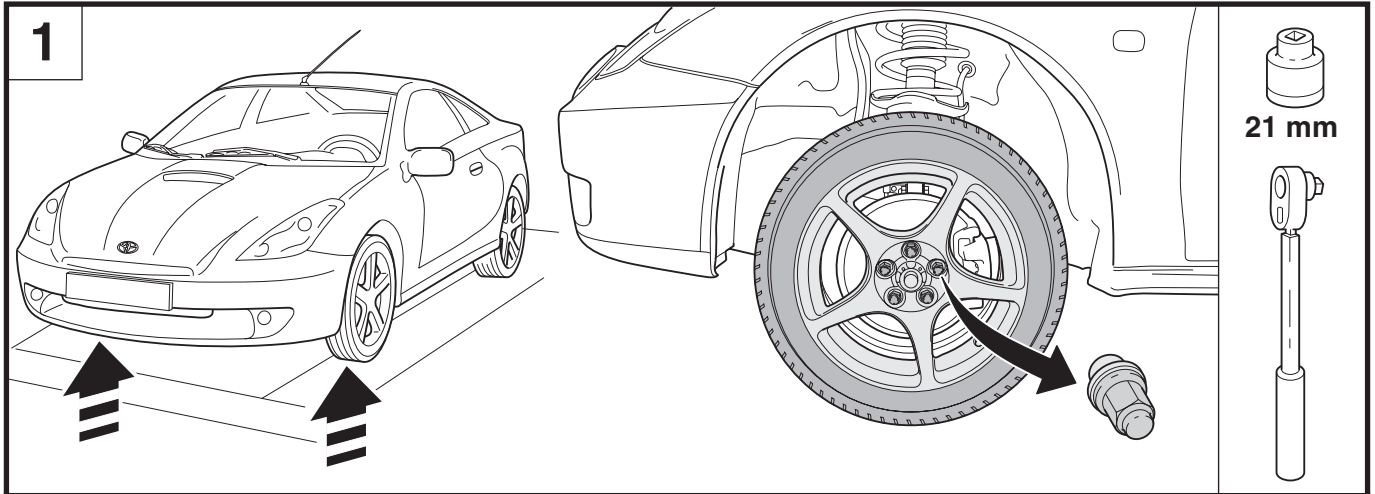
2x

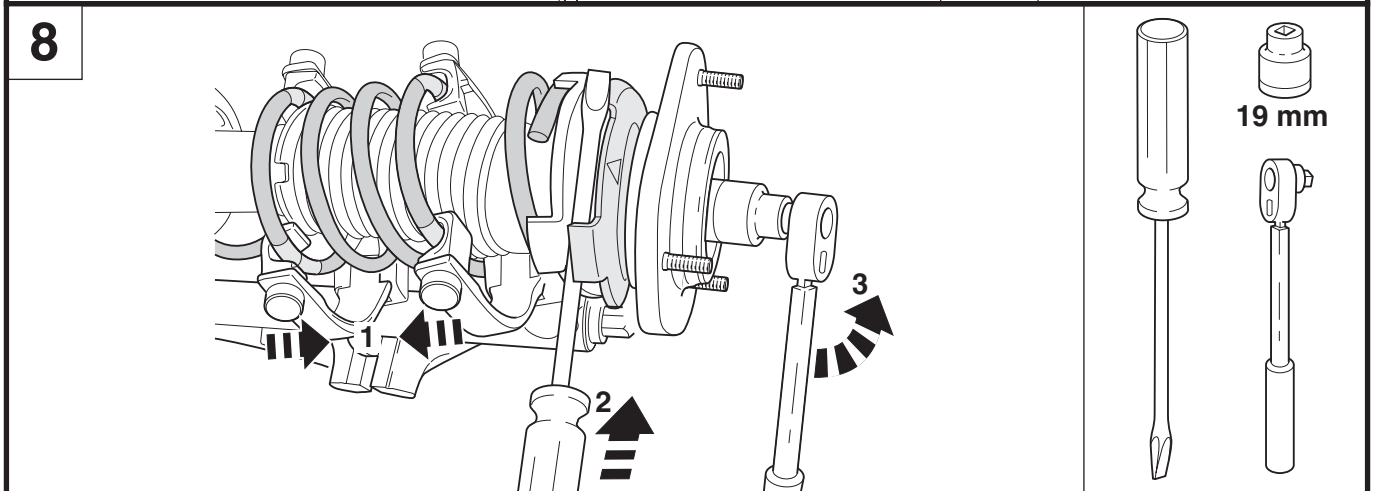
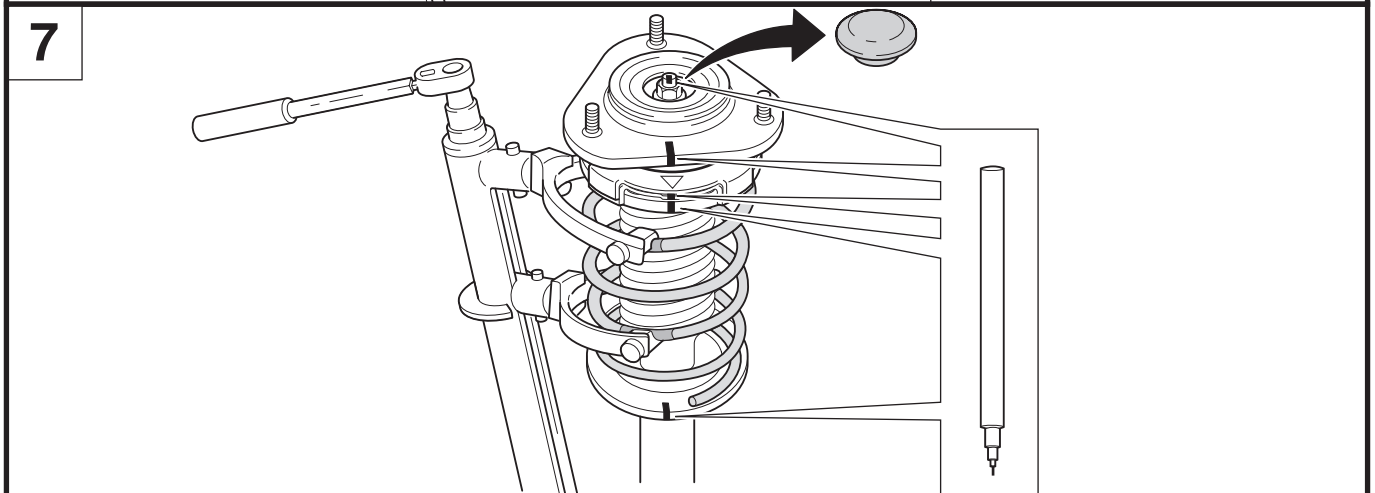
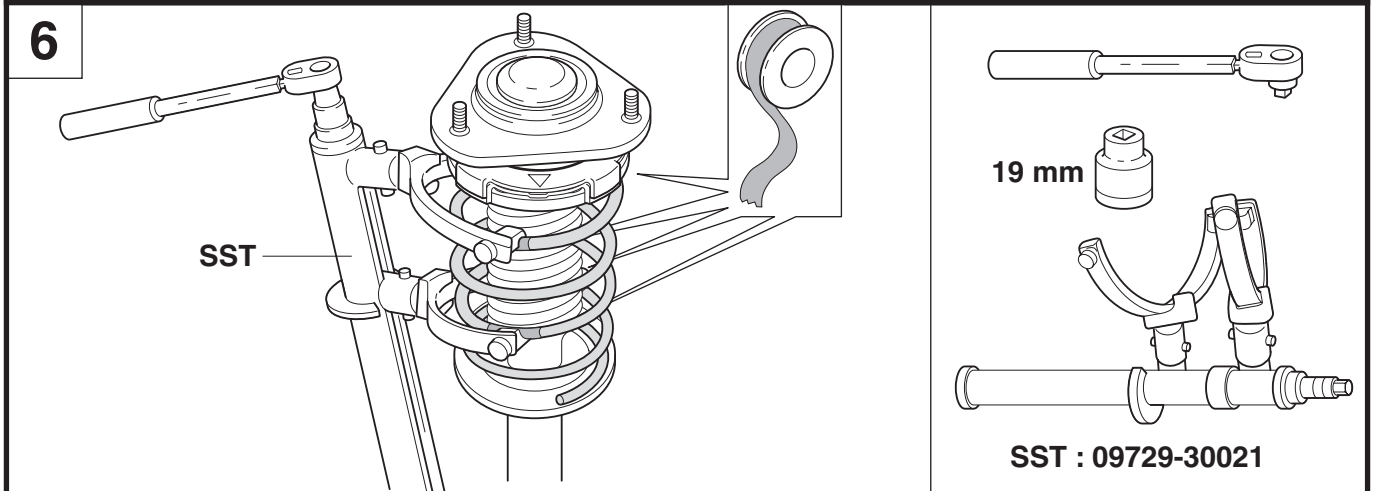
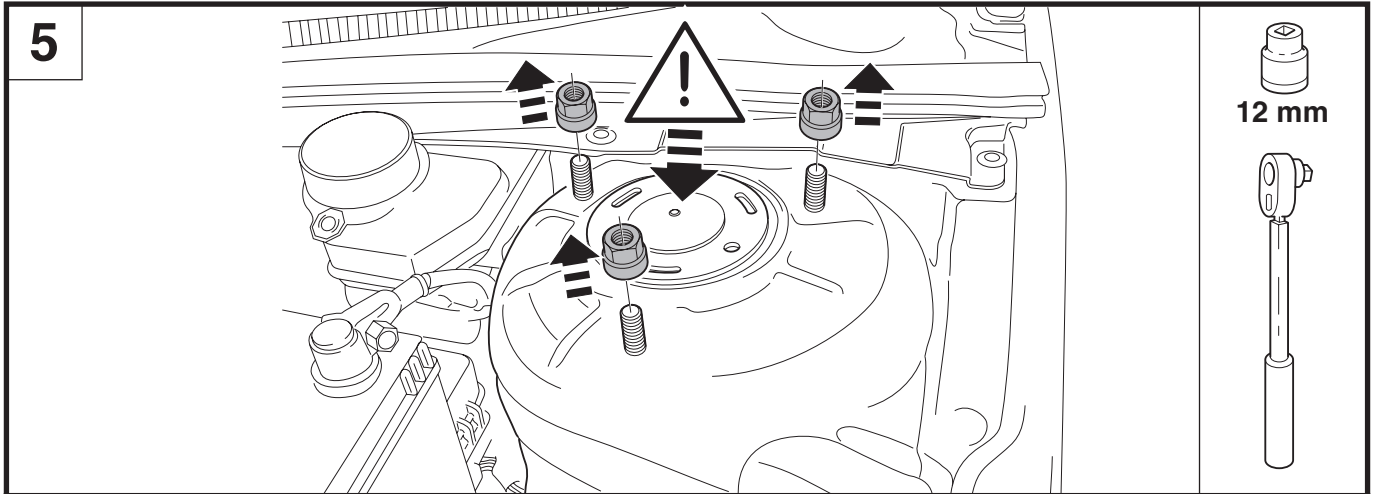
35

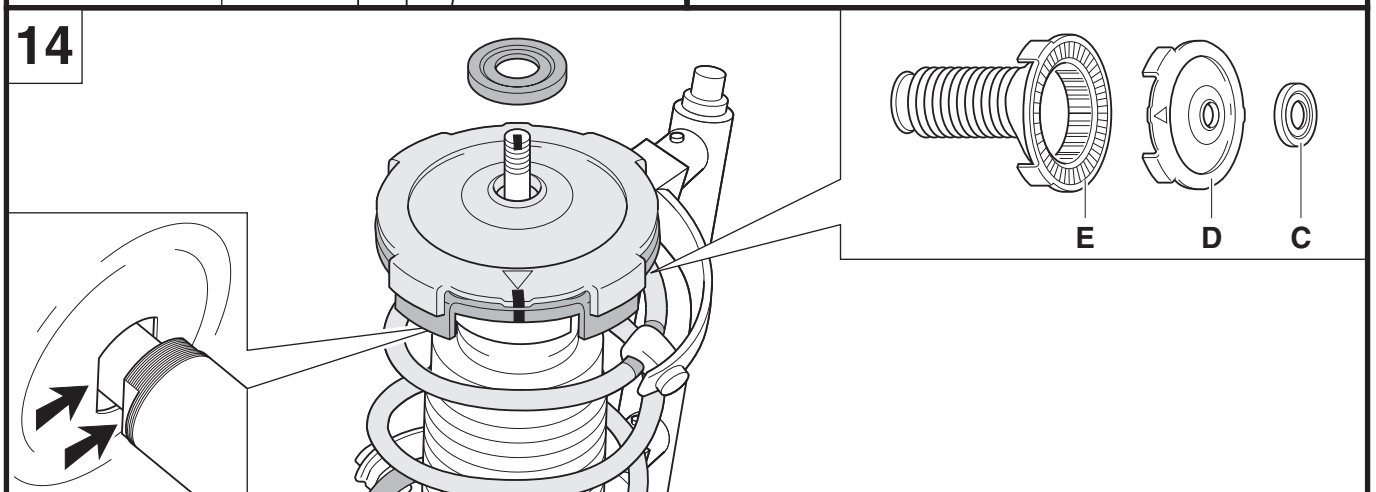
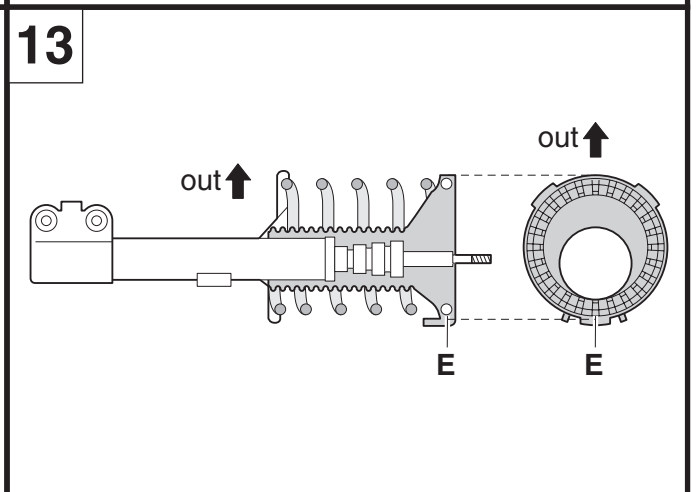
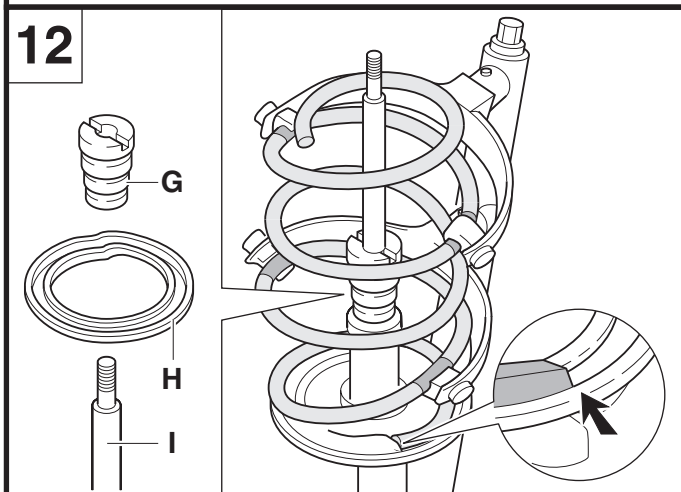
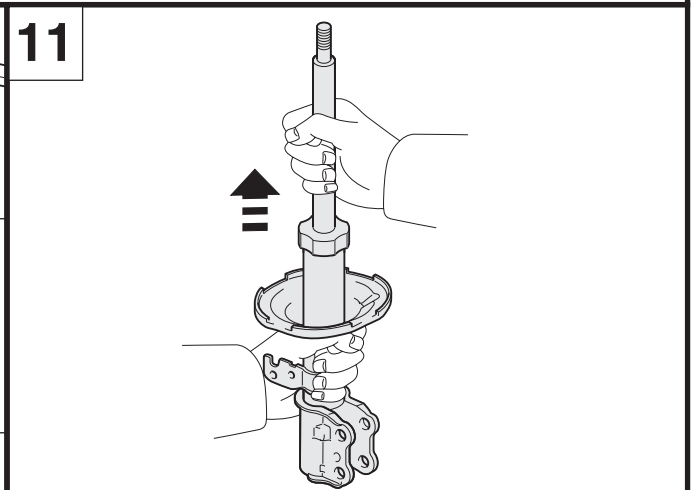
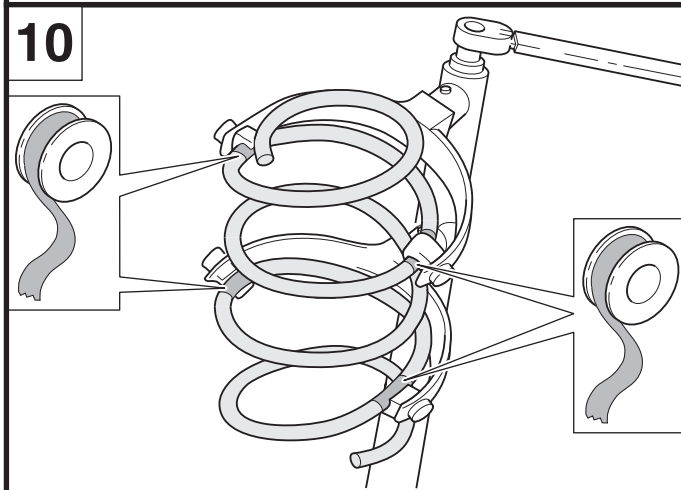
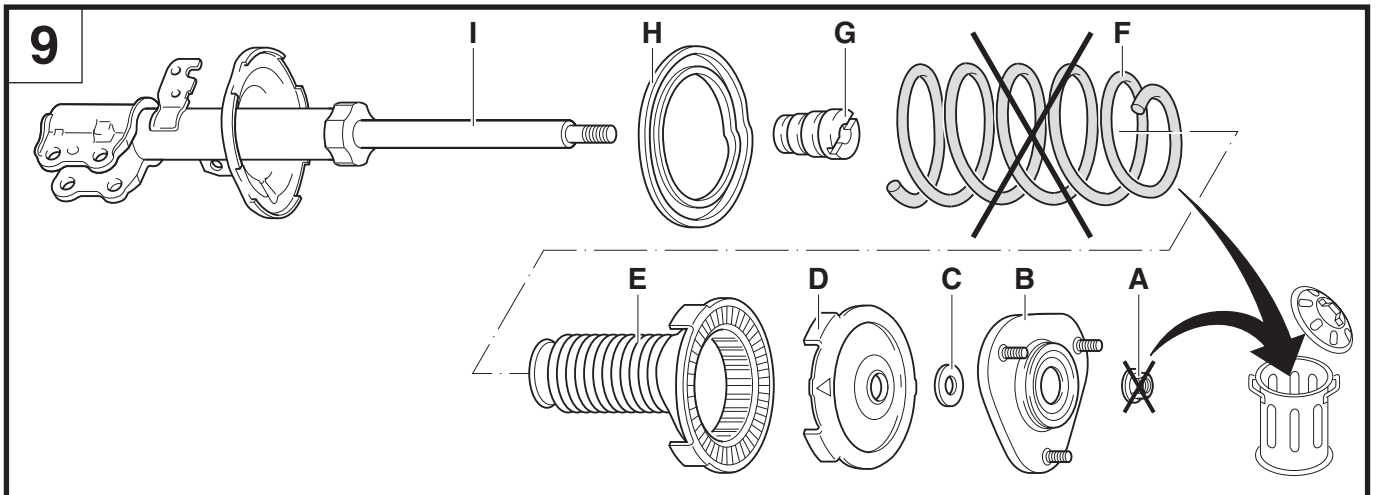


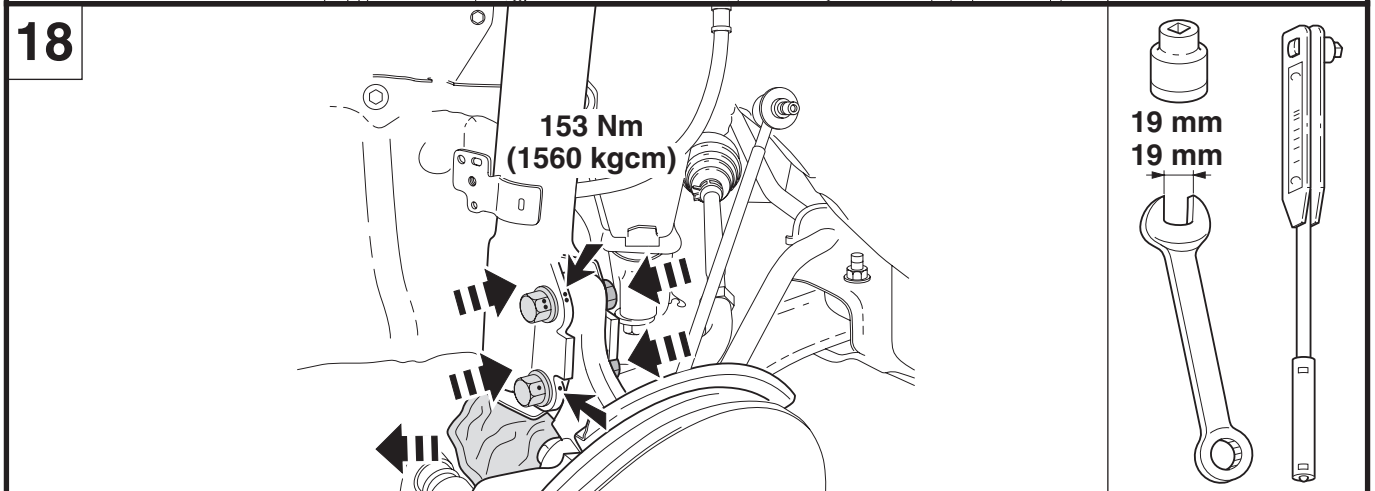
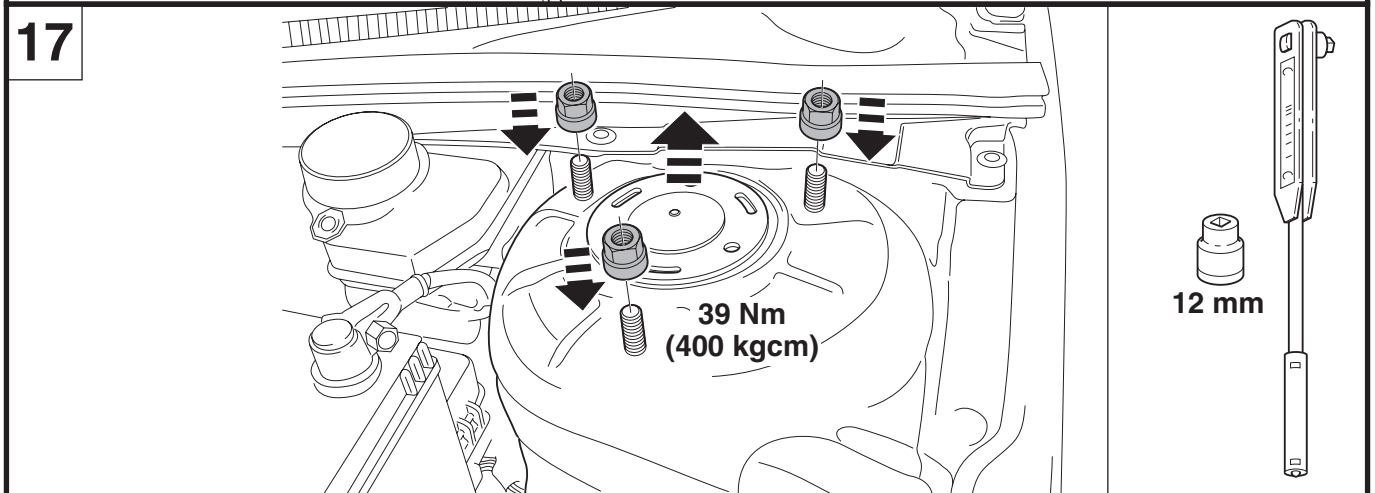
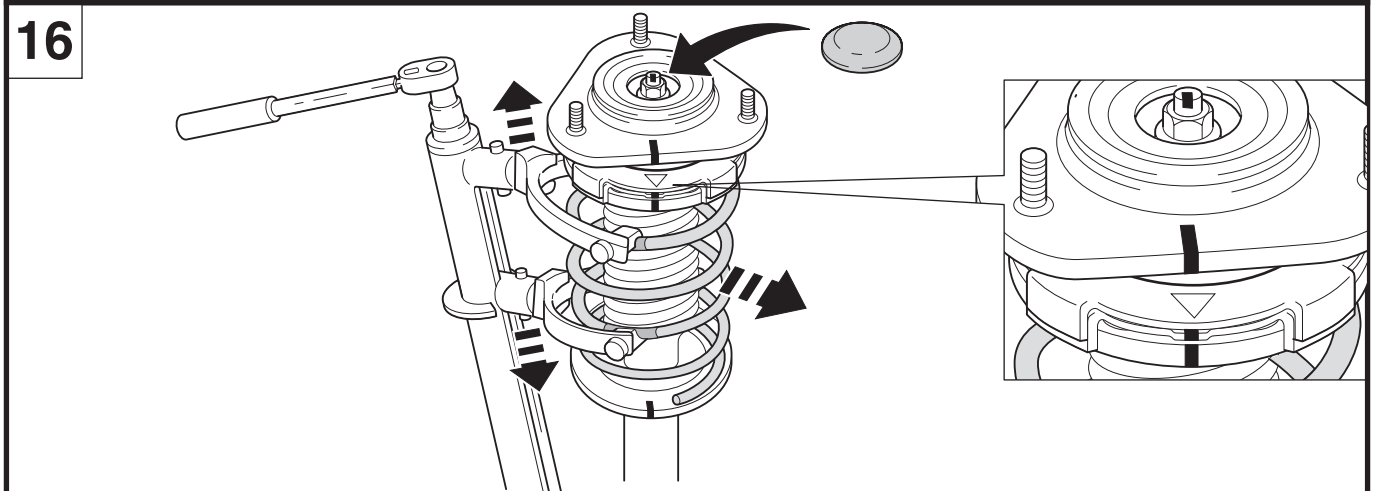
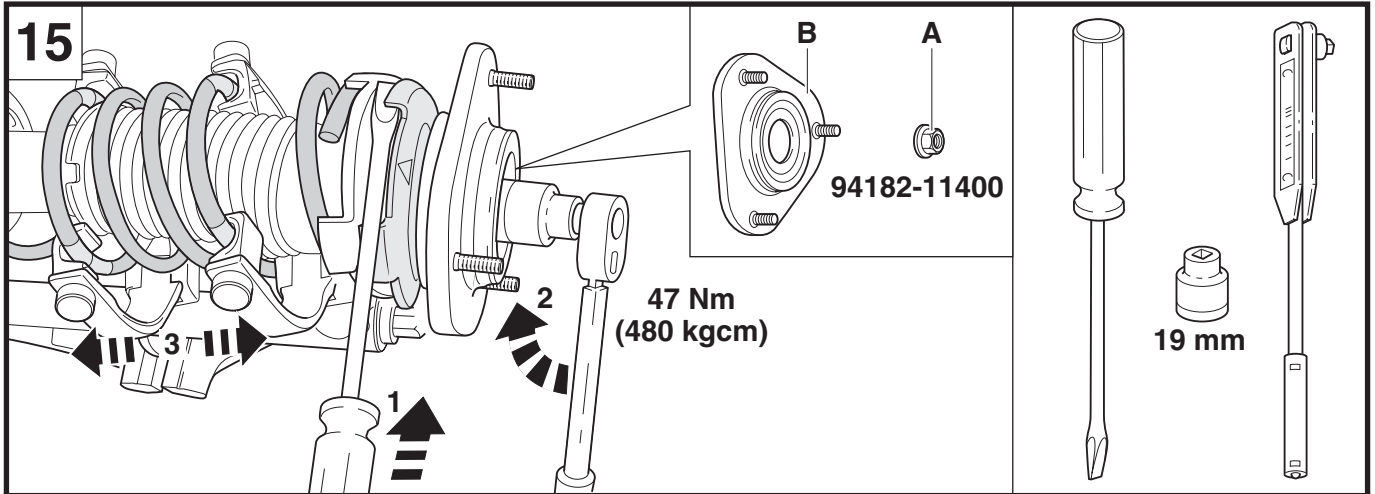
2x











19

19 Nm
(194 kgcm)

8 Nm
(82 kgcm)

10 mm

14 mm

20

44 Nm
(449 kgcm)

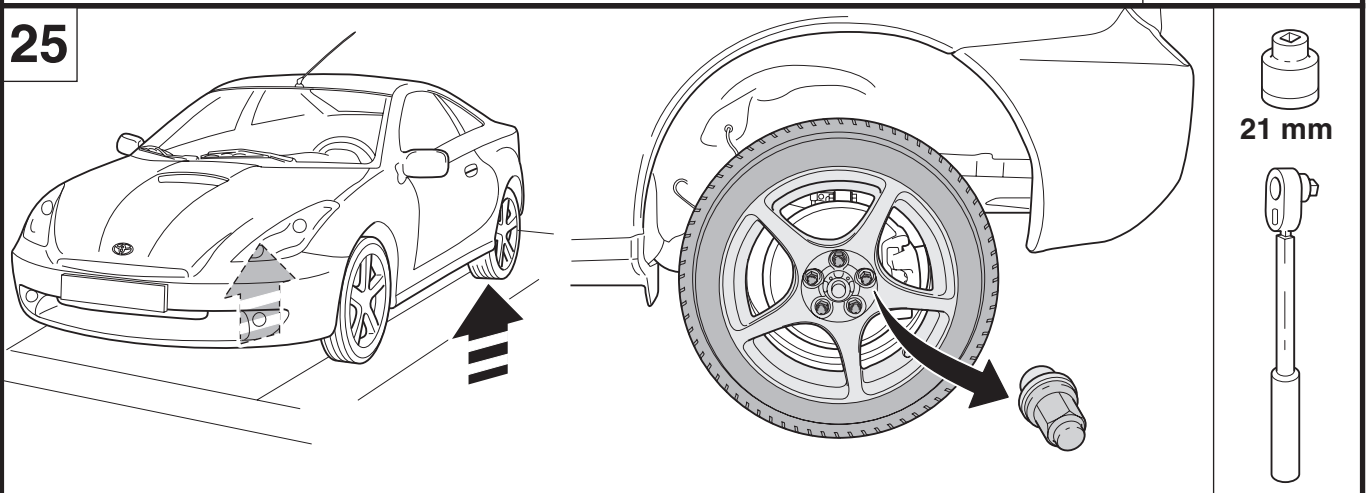
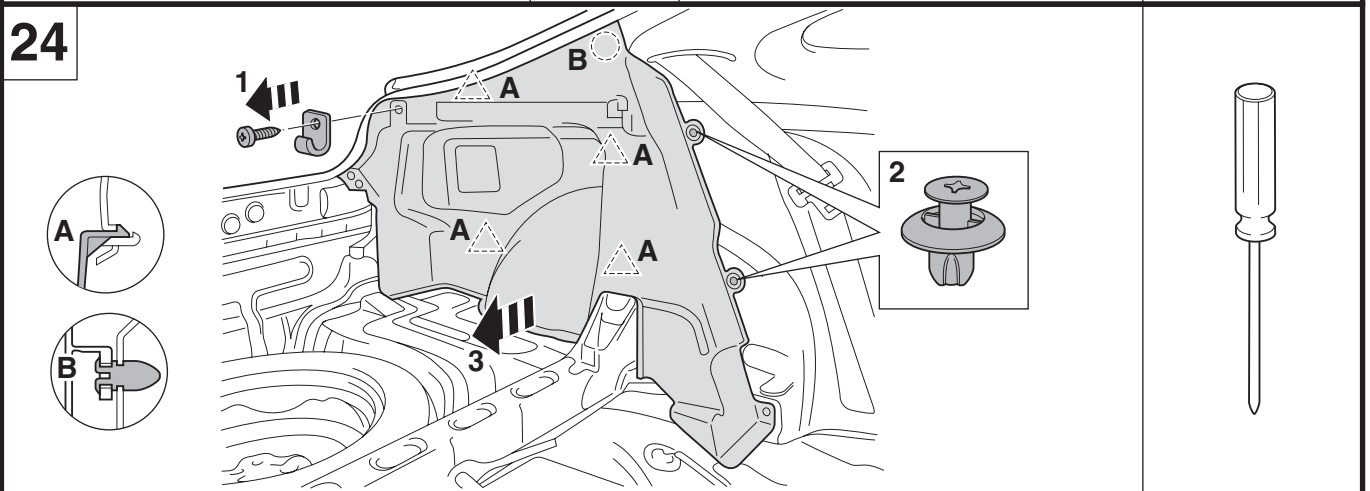
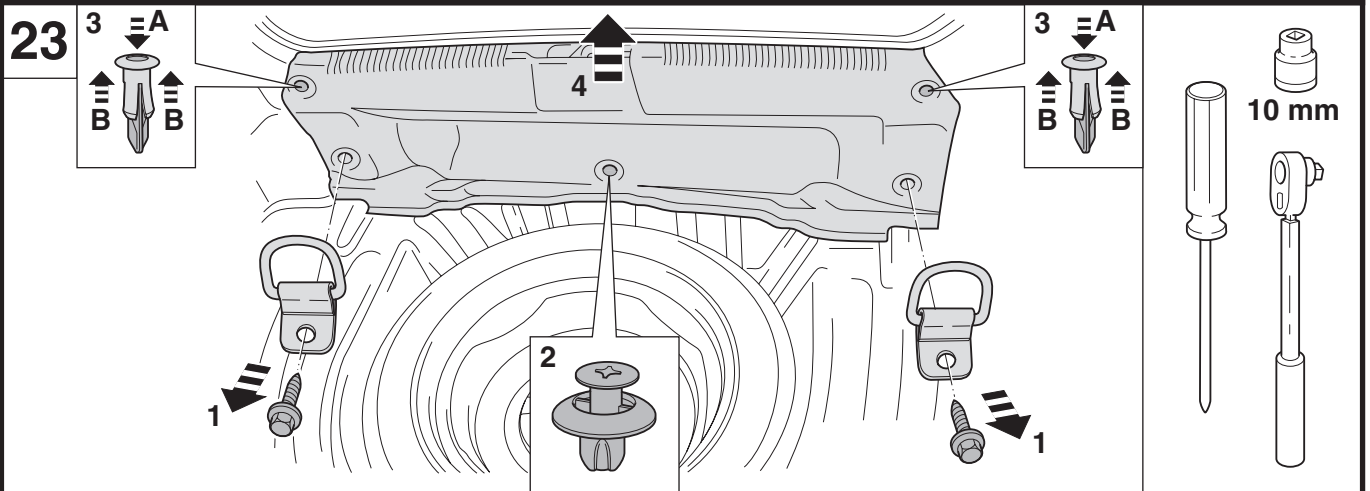
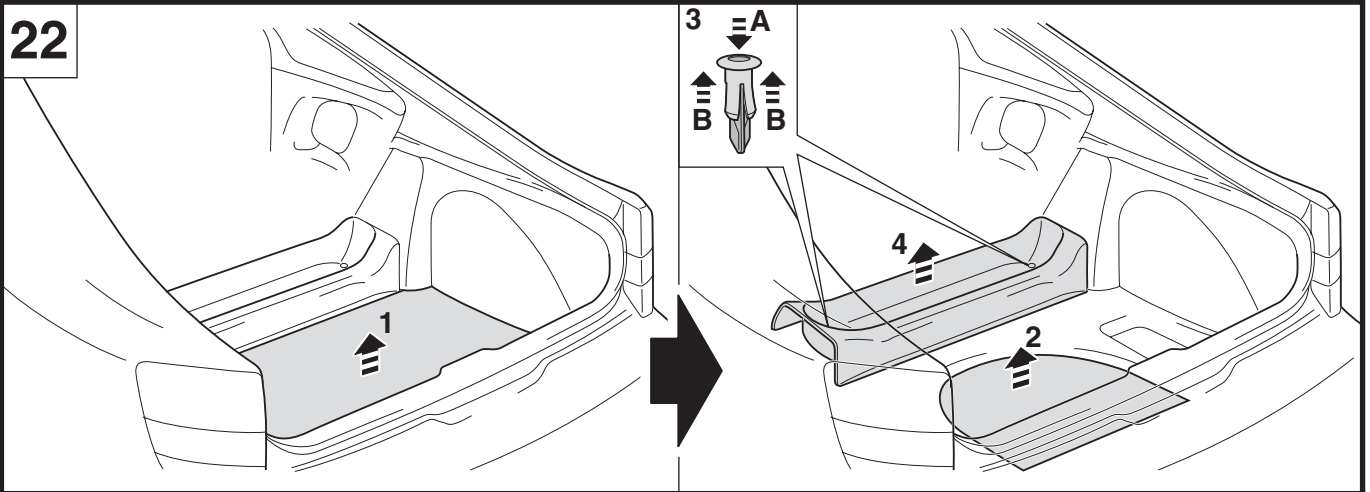
14 mm

5 mm

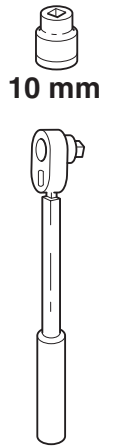
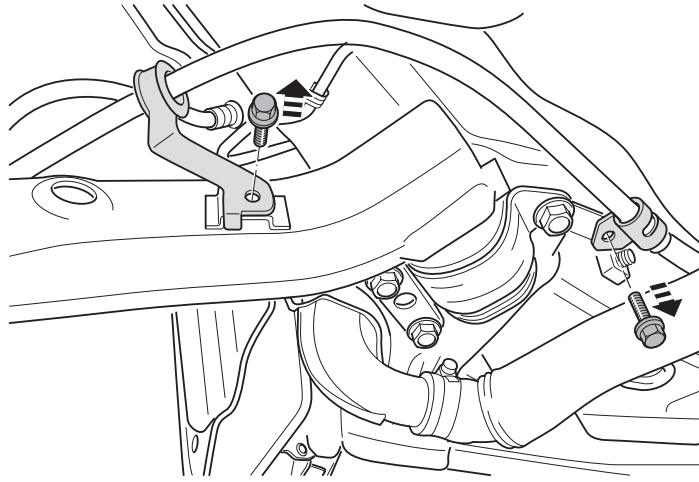
21

103 Nm
(1050 kgcm)

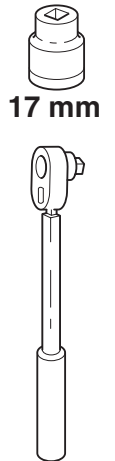
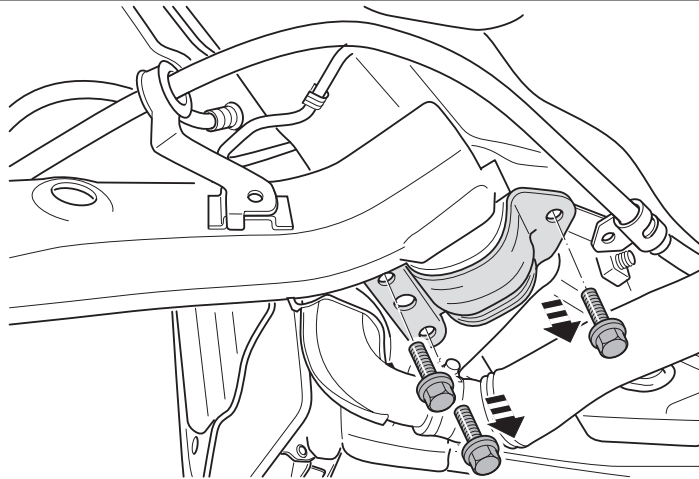
21 mm



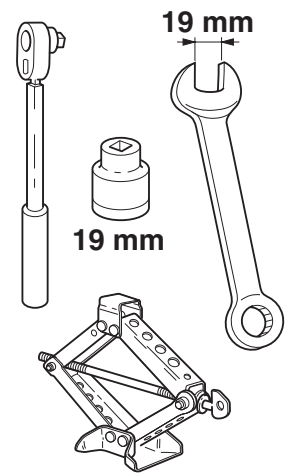
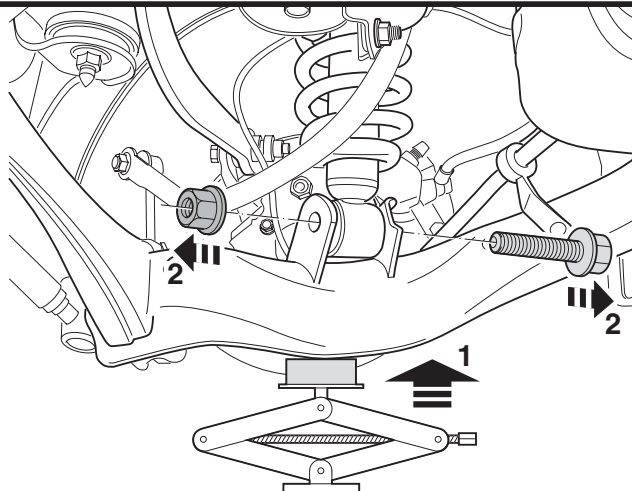
26



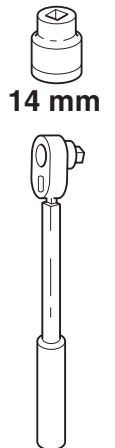
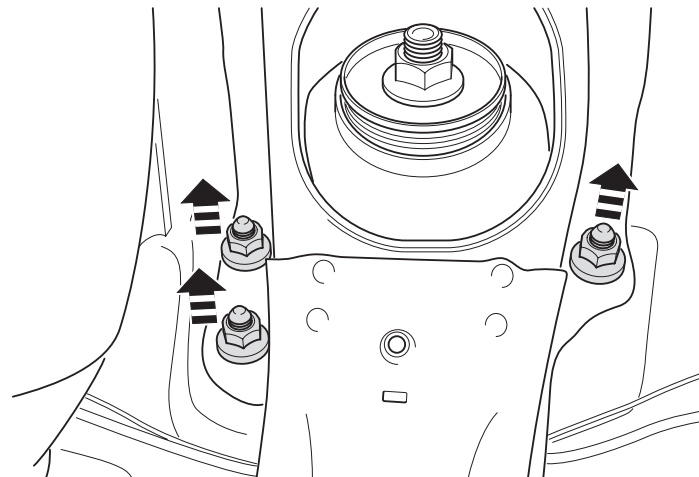
27



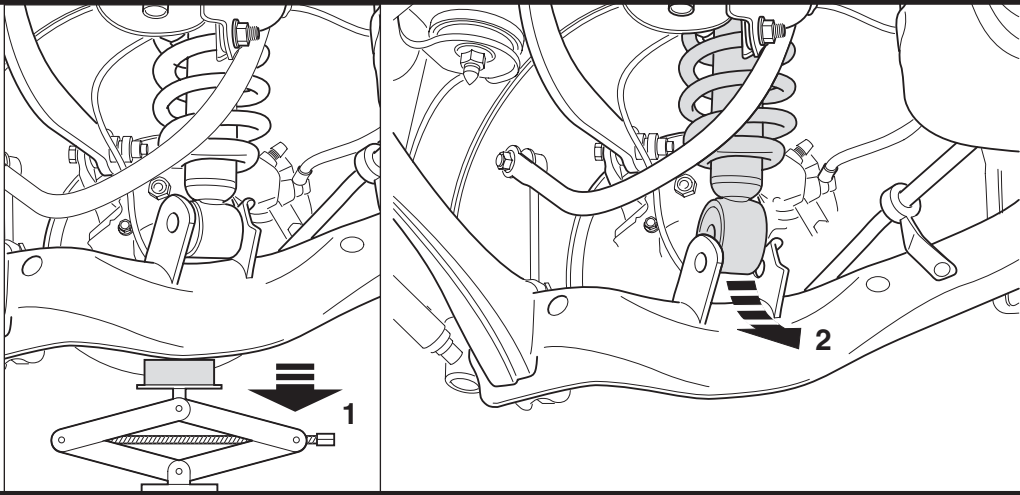
28



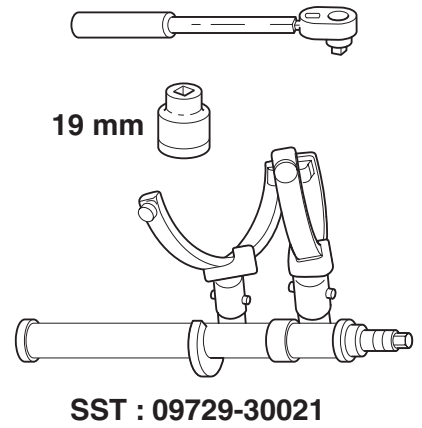
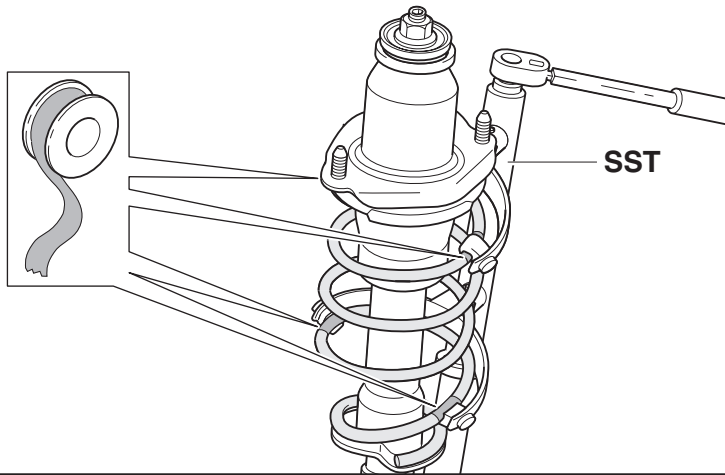
29



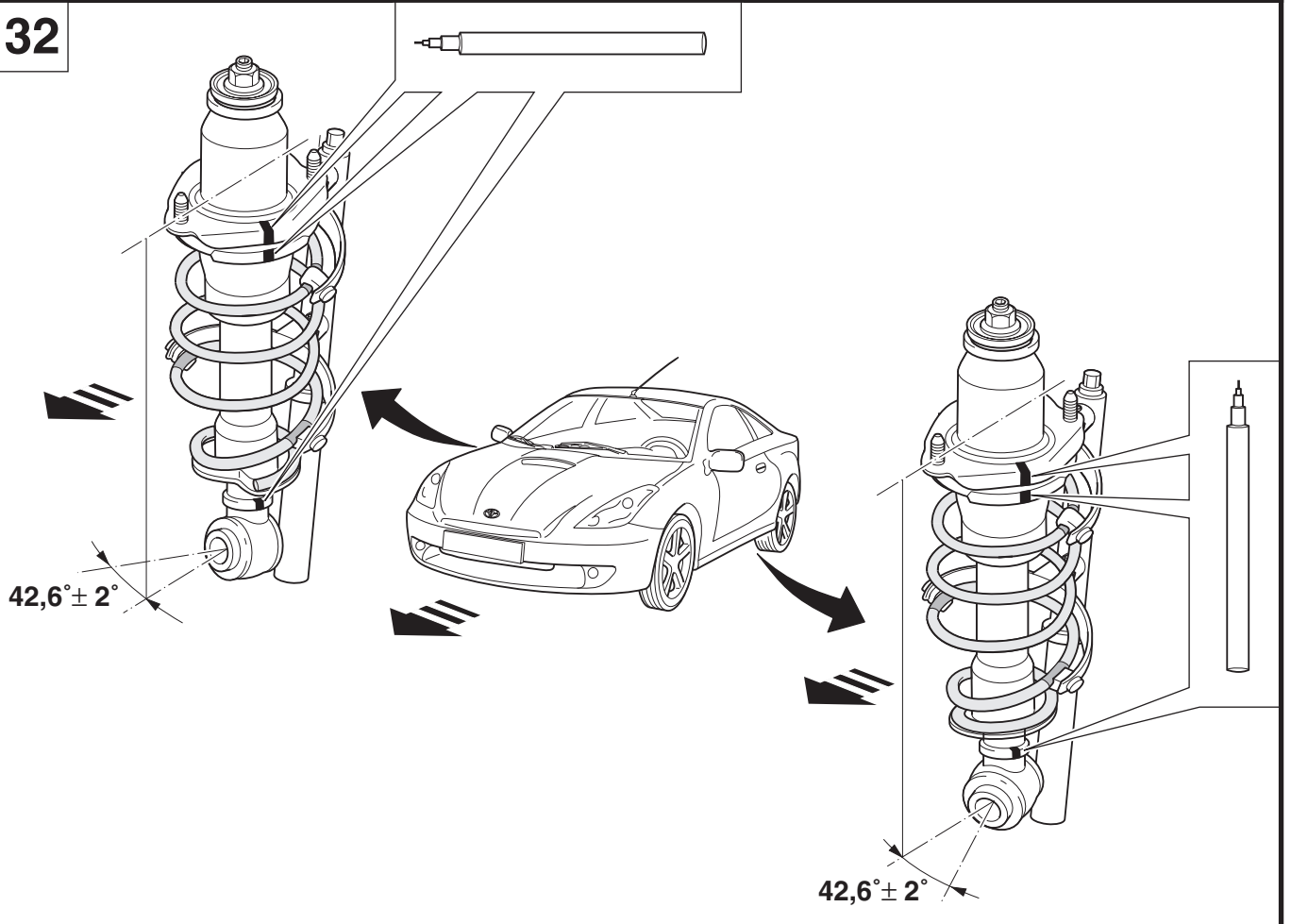
30



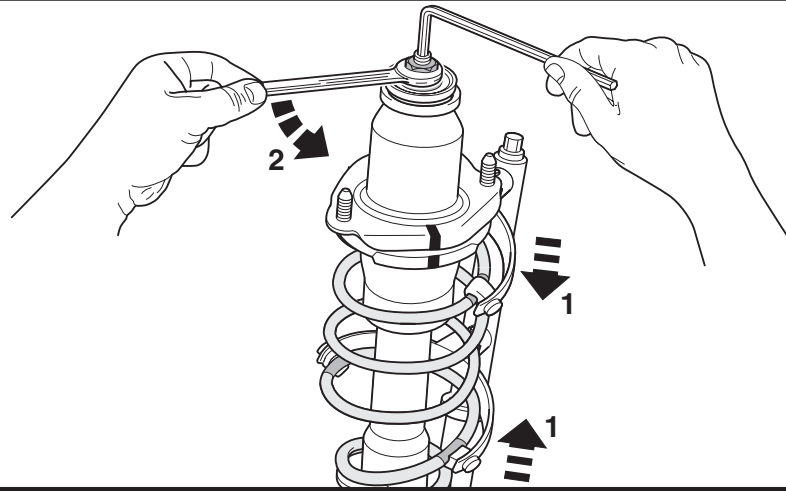
31



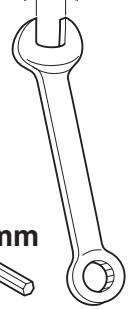
32



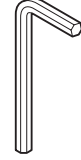
33



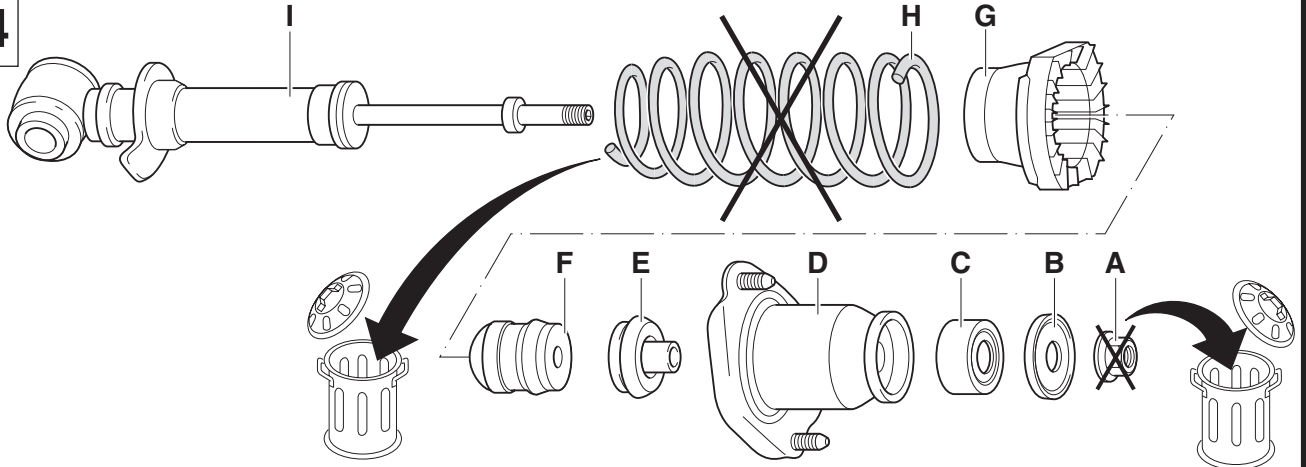
17 mm



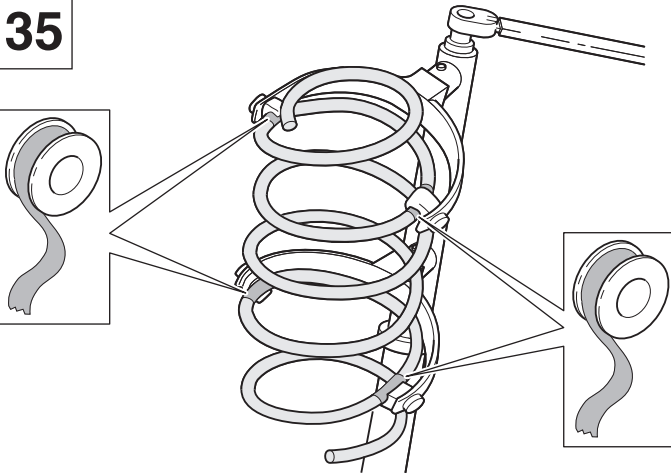
6 mm



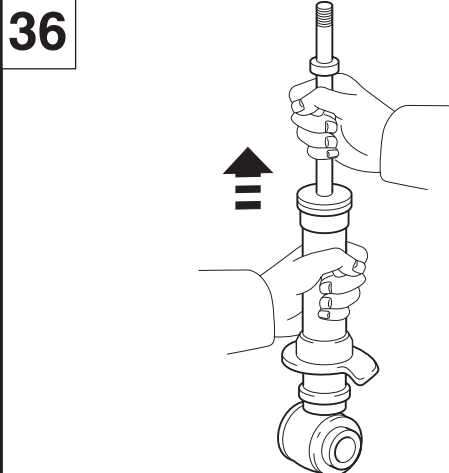
34



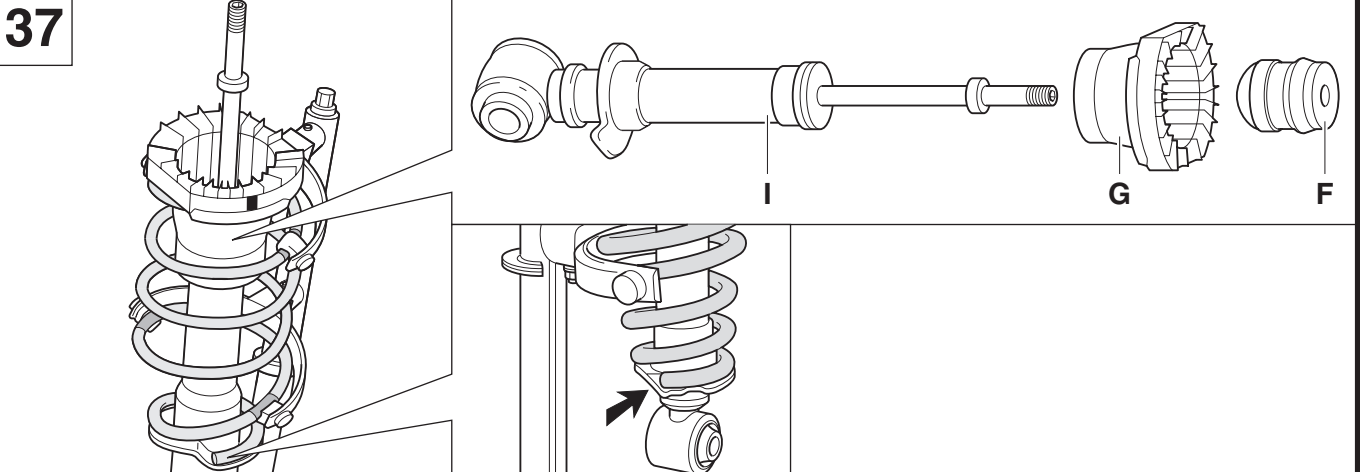
35



36

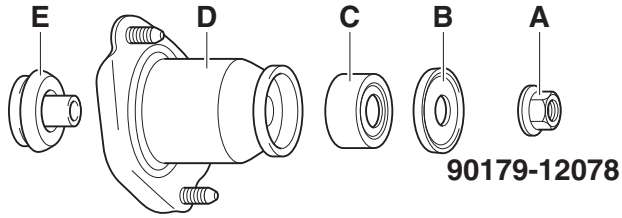
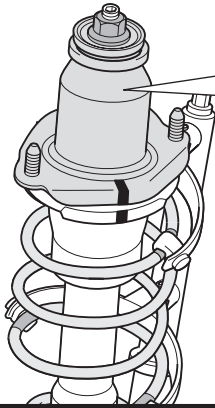


37

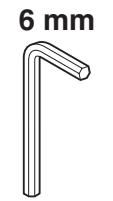


38

56 Nm
(571 kgcm)

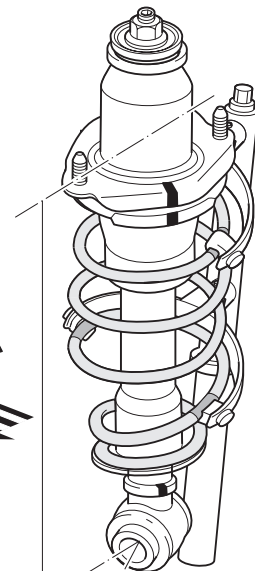
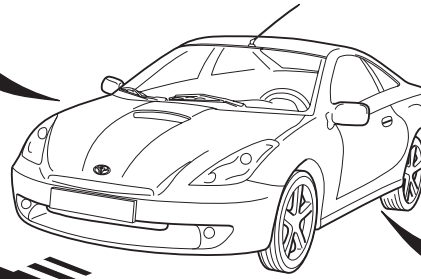
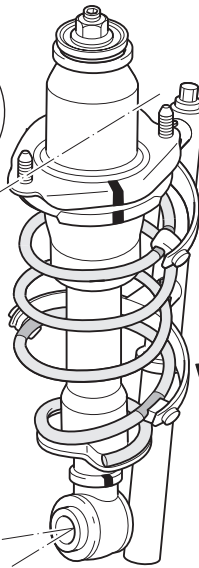


17 mm



6 mm

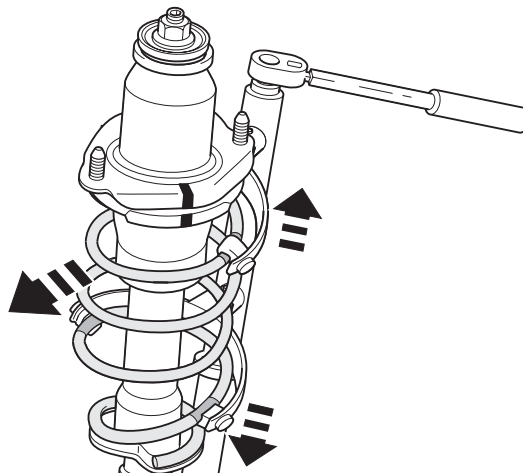
39



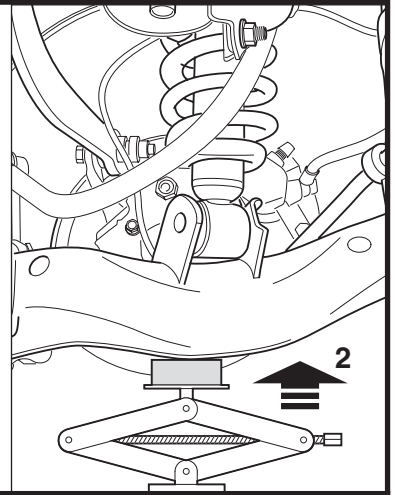
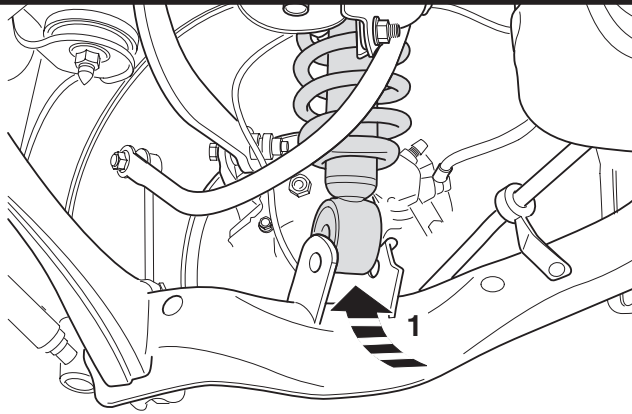
$42,6 \pm 2^\circ$

$42,6 \pm 2^\circ$

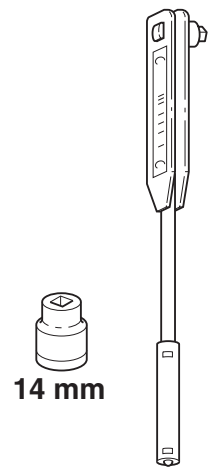
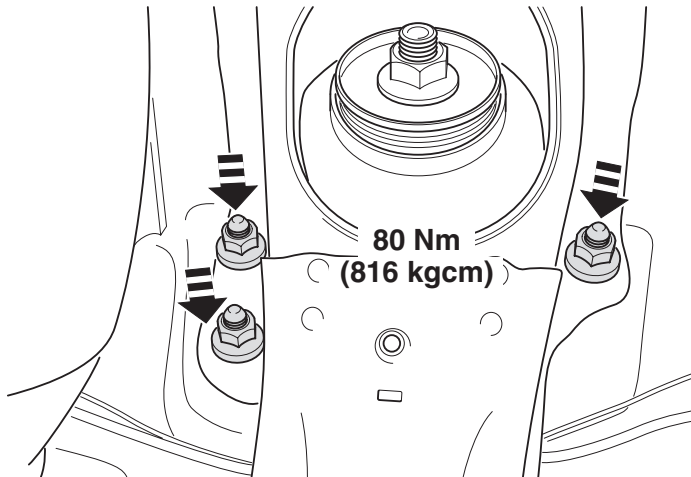
40



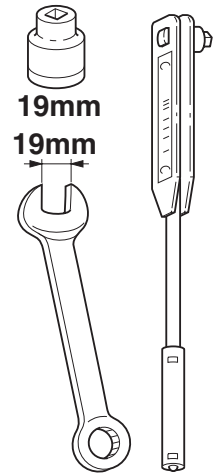
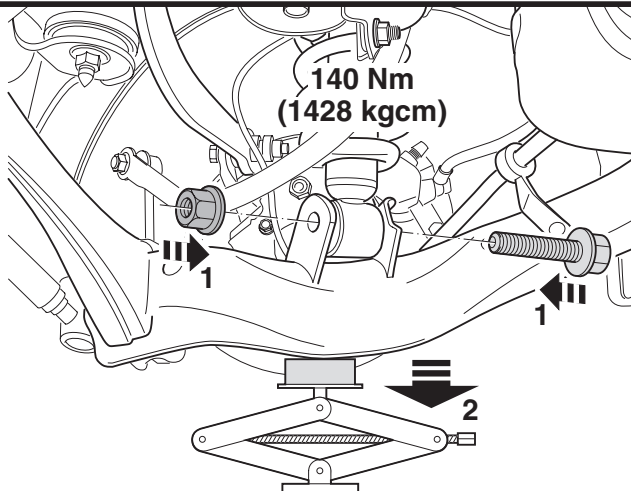
41



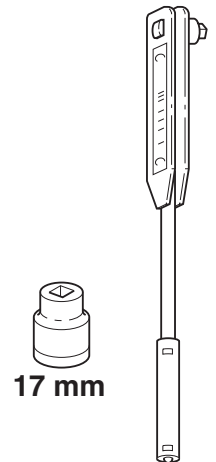
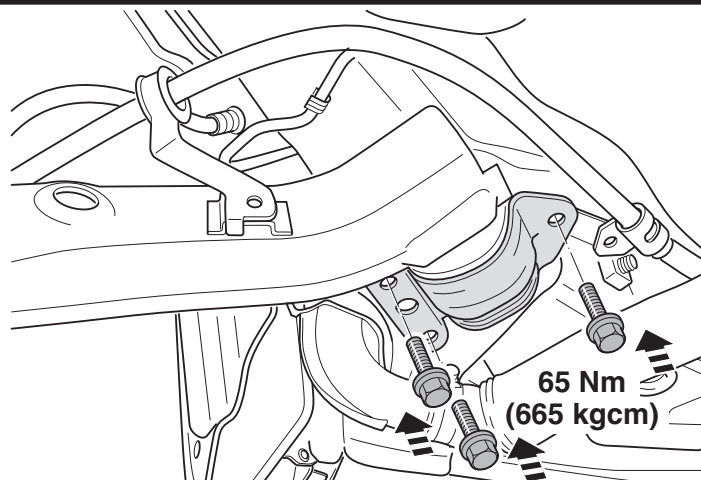
42



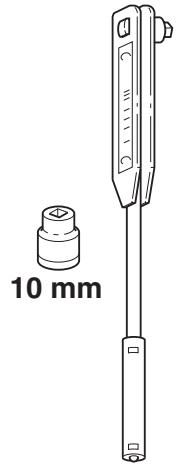
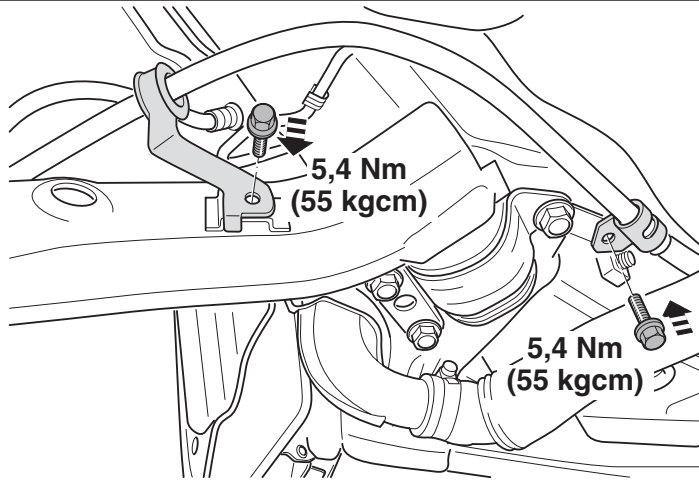
43



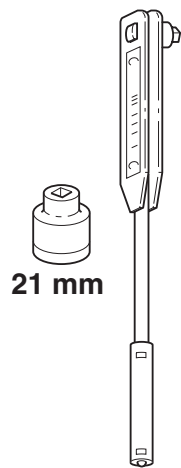
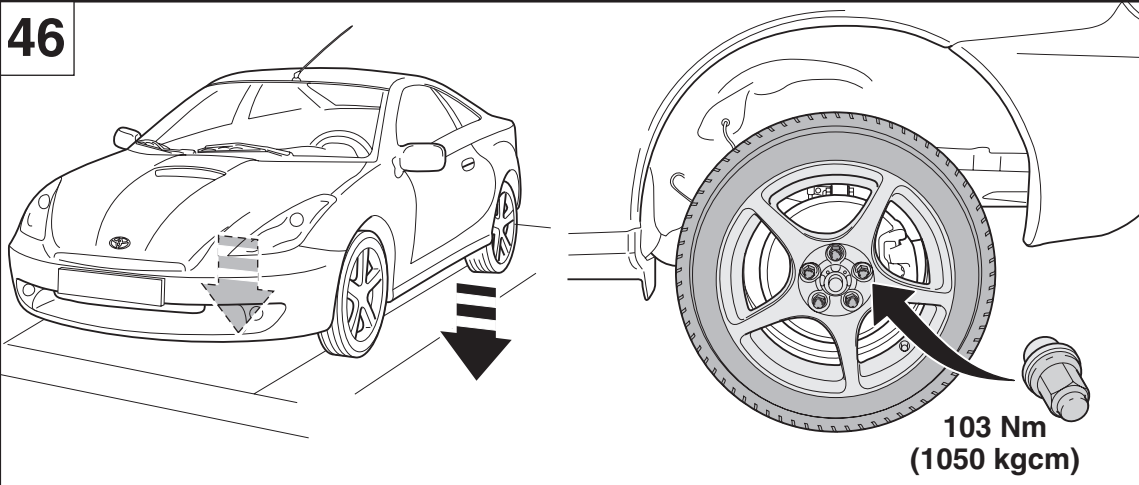
44



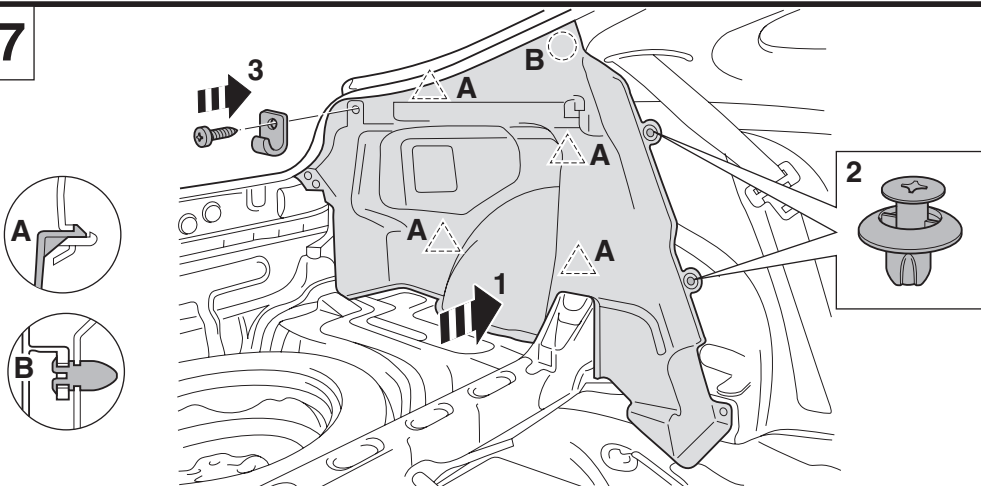
45



46



47



48

